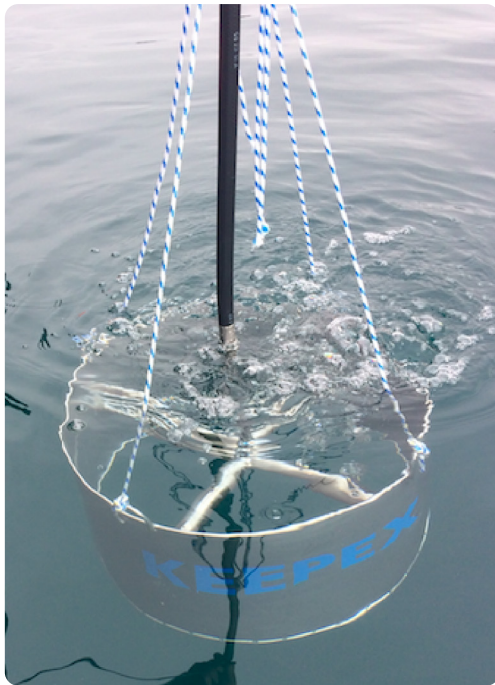


# Upwelling

## GENERATOR DIFFUSER

Generates upward water currents by injecting air bubbles at approximately 15 m depth.



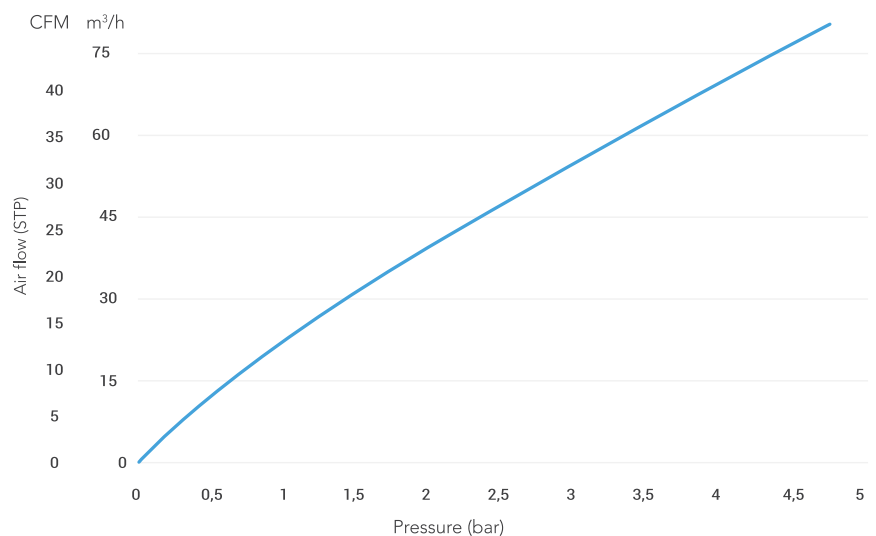
### Main applications:

- » Mitigate the effects of Harmful Algal Blooms (HABs)
- » Dilute phytoplankton and zooplankton in the water
- » Improve water quality

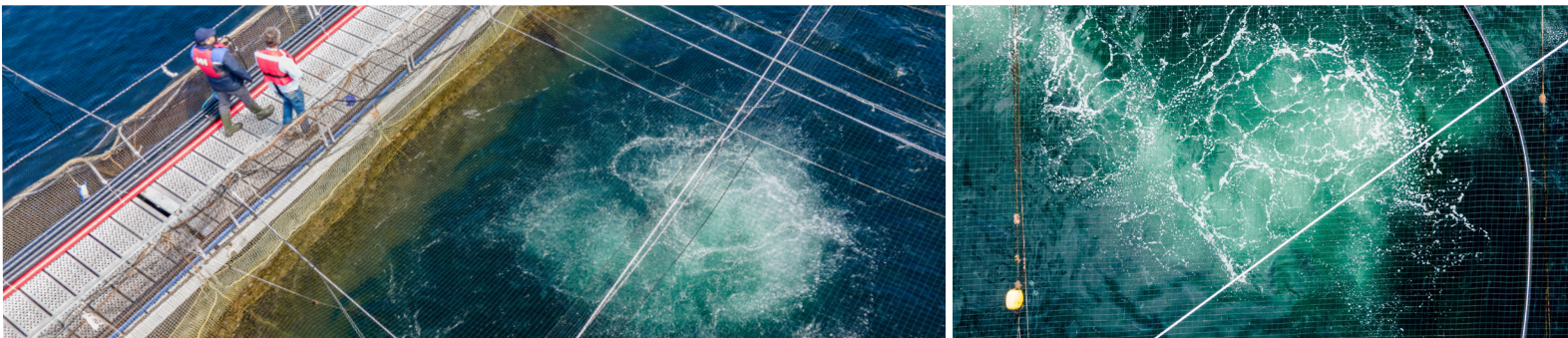
### Technical Specifications

Water upwelling	1 m <sup>3</sup> /s
Nominal capacity	60 m <sup>3</sup> /h air (STP)
Surface current velocity	50 cm/s
Weight (without hose or anode)	5 kg
Supply hose	25 m, 1/2"
Operating depth	15 m

### Air flow curve as a function of pressure

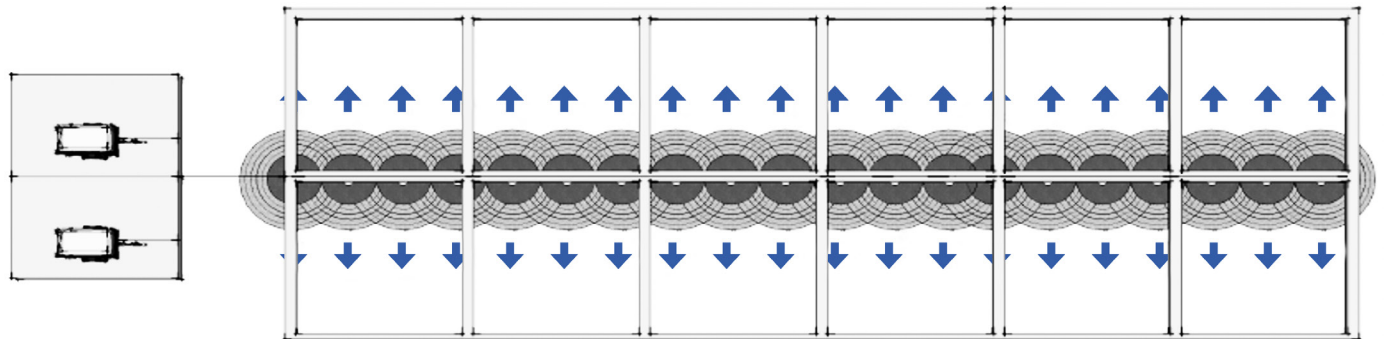


Recommended operating pressure: 3.5 bar





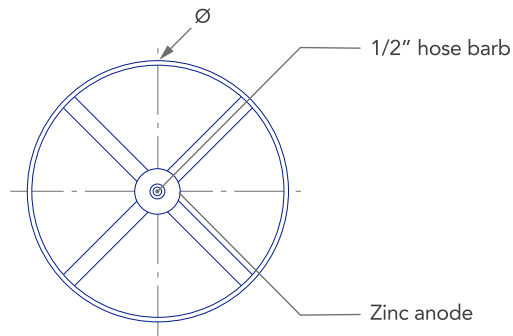
## Upwelling System Installation Diagram



One upwelling generator diffuser is installed every 10 m along the line.  
One individual flowmeter is recommended for every two diffusers.

### Upwelling Generator Diffuser

- » Diameter: 480 mm  $\varnothing$
- » Height: 98 mm
- » Material: 316L stainless steel
- » One-year warranty



### Accessories

- » Zinc anode (800 g).
- » Supply hose.

Warning: If damage or excessive wear is detected on the anode, contact Keepex for replacement.

